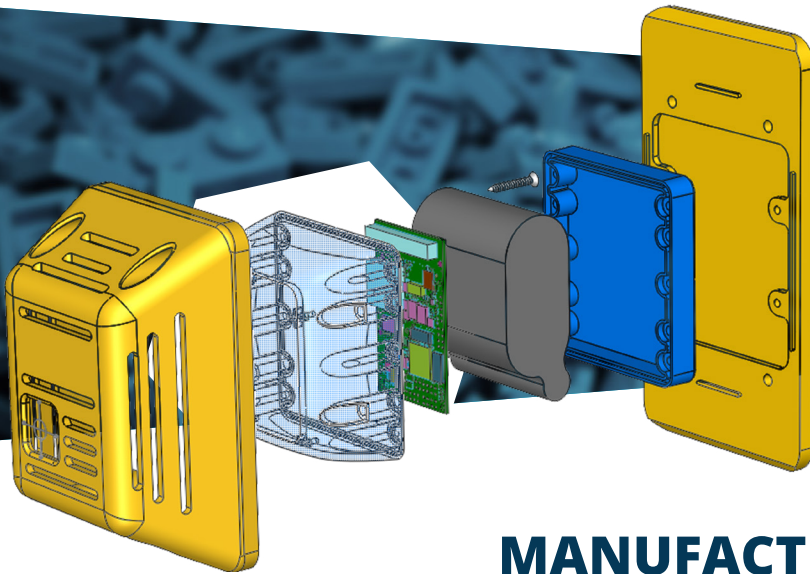


# PLASTIMOLD

PLASTIC INJECTION MOLDED PRODUCTS



## MANUFACTURING **QUALITY** PRODUCTS FOR OVER 17 YEARS

### PLASTIC INJECTION MOLDING

Plastimold offers family, single-cavity, multi-cavity, insert, and overmolding services. Our engineers are available to assist with part optimization for injection molding (DFM) and material choice consulting. All parts are produced in the USA in an automated process and climate-controlled environment.

### MOLD MAKING

Our master mold builders can either manufacture your mold at our Florida facility or utilize our overseas factory partnerships of 10+ years and build your tool at a globally competitive cost. All molds produced by Plastimold are protected by our lifetime mold guarantee.

### PRODUCT DESIGN

We can assist in the entire process of product development, including 2D engineering & 3D CAD drawings, a detailed bill of materials (BOM), component sourcing, patent drawings, certification specifications, and next-day printed prototypes.

### PRECISION MACHINING

Our 5-axis machines produce economical parts without sacrificing quality. We can machine any material from plastic to aerospace alloy with .0001" accuracy and provide automated inspection reports.

### OTHER SERVICES

Assembly, Pad Printing, Packaging, 3D Printing & Scanning, Circuit Board Manufacturing Assembly, Ultrasonic Welding, Turnkey, Warehousing

#### CONTACT US

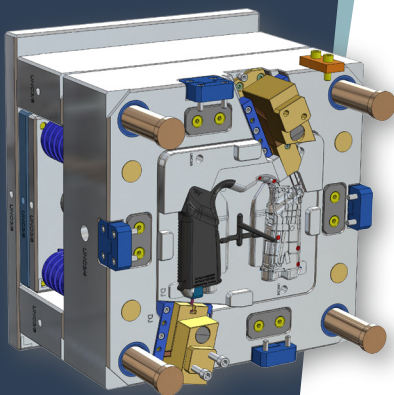
We will strategize with you to provide the most cost effective approach to help you reach your target.

561-869-0183

[info@plastimoldproducts.com](mailto:info@plastimoldproducts.com)

[www.plastimoldproducts.com](http://www.plastimoldproducts.com)

*\*Quotes in 24-48 hours*





## INJECTION MOLDING EQUIPMENT

- Toshiba EC 45
- Toshiba EC 90
- Toshiba SX 140
- Toshiba SX 200
- Toshiba EC 390

*All machines are equipped with Robotic Sprue Pickers and Automated Conveyors*

## Materials

ABS, Acetal, Acrylic, Polyflax, HDPE/LDPE, Nylon, Glass Filled Nylon, PET, Polycarbonate, PC/ABS, Polypropylene, Polystyrene, PVC (rigid and flexible), Tenite, TPU/TPE, Ultem.

\*Custom Compounded Materials

## Lead Time

3-5 days from date of order (schedule dependant); Rush service available

## Production Volume

Custom production schedules, High Volume, Low Volume, Short Runs, Long Runs

**Shot Size:** 1 gram - 3 lbs

**Number of Cavities:** 1 - 96

**Tolerance:** +/- .0001 in



## MACHINING & TOOL ROOM

- Mazak 510C
- Mazak VTC 20B
- Mazak Integrex i200 S
- EDM Sinker
- Bridgeport Mills
- Manual Lathe
- Automatic and Manual Grinders
- Gershwin Polishing Station
- Mitutoyo CMM Inspection Equipment

## Materials

Aluminum, P20 Tool Steel, Stainless Steel, and other tool steels selected on a project by project basis.

## Lead Time

2-4 weeks for small, simple molds; 4-8 weeks for medium/large, complex molds

## Preferred File Formats

SolidWorks (Sldprt, Slddrw, Sldasm), STEP, Parasolid (x\_t and x\_b), IGES, DXF, DWG, PDF